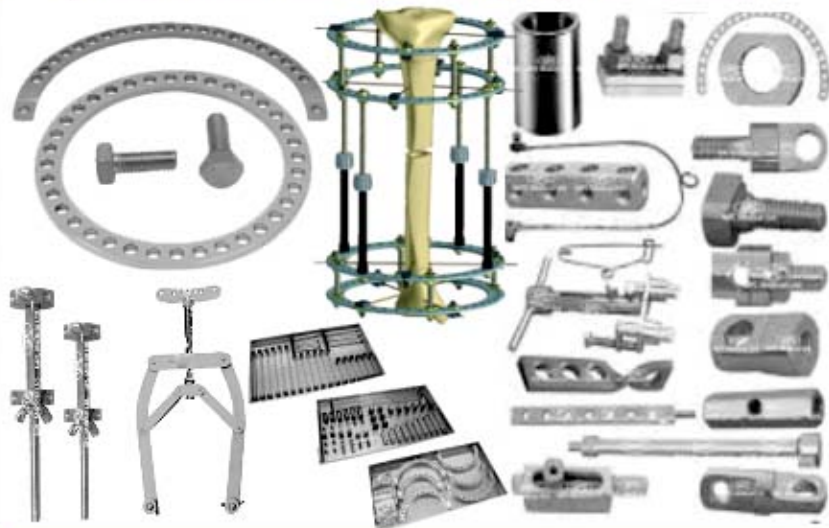




BASIC ILIZAROV COURSE-2015

Oct 31st & Nov 1st, 2015

Venue : DUMRA AUDITORIUM , DMC&H, Ludhiana
(Course has been awarded 8 CME Points by Punjab Medical Council)



Organised by :

DEPARTMENT OF ORTHOPAEDICS

DMC & HOSPITAL

LUDHIANA, PUNJAB

Dear Doctor,

The technique of Ilizarov ring fixator system has unlimited indications and application in our field of Orthopaedics and Traumatology. Further, the technique has been under constant evolution with better understanding of biomechanics resulting in improvements in materials, design and application.

The course is being conducted with the aim to get orthopaedic residents and orthopaedic surgeons conversant with basic Ilizarov concepts and to improve knowledge and psychomotor skills in applying Ilizarov Frames.

We hope that at the end of the course, the delegate should be able to apply an Ilizarov Frame for the Tibia, without gross errors, and with reasonable confidence, and have the basics in place for further, future learning of Ilizarov Techniques.

Organizing Chairman
Prof. Dr. M. Yamin

Organizing Secretary
Prof. Dr. H.S. Selhi

Course Director

Dr. Mangal Parihar, Mumbai

Number of delegates are restricted to 40

Course Fee (CME & Workshop)	Early bird (Before 30th Sept.)		Late (After 30th Sept.)	
	Consultant	PG	Consultant	PG
	1500	1000	2000	1500

Please send the Course fee through

DD in Favour of Dayanand Medical College & Hospital Managing Society Payable at Ludhiana
Bank Transfer :

A/c No. : 51202011017402

Oriental Bank of Commerce, DMC&H, Ludhiana (Pb.)

IFSC Code No. : ORBC0105120

(Please send NEFT Details by e-mail for Confirmation)

Please Submit Completed registration forms to

Dr. Harpal Singh Selhi

Professor, Dept. of Orthopedics, DMC&H.

Tagore Nagar, Civil Lines, Ludhiana

M: 98150-22527

E-mail: drharpal@gmail.com

Programme Schedule

Day - 1

<u>Inauguration</u>		09:00 A.M.
Introduction	09:00 A.M.	09:15 A.M.
Biology of Bone Distraction	09:15 A.M.	09:45 A.M.
Mechanical Properties of Ilizarov	09:45 A.M.	10:15 A.M.
Instrumentation	10:15 A.M.	10:35 A.M.
<u>Coffee</u>		
Workshop 1 - Basic Wire Passing Techniques	10:55 A.M.	12:40 P.M.
Workshop 2 - Frame Preconstruction (Midshaft Tibia)	12:40 P.M.	01:00 P.M.
<u>Lunch</u>		
Workshop 3 - Mid Shaft Tibial Fracture Application	01:50 P.M.	02:50 P.M.
<u>Coffee</u>		
Workshop 4 - Frame Preconstruction (Distal & Proximal)	03:10 P.M.	03:50 P.M.
Workshop 5 - Frame Application Tibia (Distal & Proximal)	03:50 P.M.	05:30 P.M.

Day - 2

Workshop 6 - Bone Transport using Previous Frames	08:00 A.M.	09:00 A.M.
Principles of Treatment of non union	09:00 A.M.	09:40 A.M.
LRS instrumentation	09:40 A.M.	10:20 A.M.
<u>Coffee</u>		
Workshop 7 - LRS Workshop Tibia	10:40 A.M.	11:40 A.M.
Workshop 8 - LRS Femur	11:40 A.M.	12:40 P.M.
LRS or Ilizarov - When ?	12:40 P.M.	01:00 P.M.
<u>Lunch</u>		
Workshop 9 - Ilizarov Demo Femur	01:50 P.M.	02:30 P.M.
Principles of Treatment of infected non union	02:30 P.M.	03:00 P.M.
Post op Care	03:00 P.M.	03:30 P.M.
Case Discussion	03:30 P.M.	04:30 P.M.

Organizing Committee

Patrons-in-Chief

Mr. Sunil K. Munjal

Mr. Prem K. Gupta

Patrons

Prof. Dr. Sandeep Puri

Prof. Dr. G.S. Wander

Prof. Dr. R.S. Chhina

Prof. Dr. A.K. Chaudhary

Prof. Dr. Sandeep Sharma

Prof. Dr. Bishav Mohan

Prof. Dr. Sandeep Kaushal

Organising Chairman

Prof. Dr. M. Yamin

Organising Co- Chairman

Prof. Dr. Rajnish Garg

Organising Secretary

Prof. Dr. H.S. Selhi

Scientific Coordinator

Dr. Deepak Jain

Travel & Accommodation Coordinator

Dr. Pankaj Mahindra

Dr. Shekhar Singal

Committee Members

Dr. G.S. Sidhu

Dr. Akshdeep Bawa

Dr. Piyush Setia

Dr. Rajeshwar Sidhu

Correspondence

Dr. Piyush Setia, Dr. Pankaj Chopra

Deptt. of Orthopaedics, DMC&H Ludhiana

+91-97802-05317, +91-97803-01615,

E-mail: piyush.setia@gmail.com

drchopra88116@gmail.com



We make

*legally safe implants in India
for global requirement*



**Dedicated
to Orthopaedics
Since 1960**

EL - 32, " J " Block, MIDC Bhosari, Pune 411 026 India.
Tel : 91-20- 40706464 (30 lines) Fax : 91-20-46768107

Email : info@pitkar.net

CIN : U33119PN1990PTC055384

www.pitkar.com



BASIC ILIZAROV COURSE-2015

Oct 31st & Nov 1st, 2015

Registration Form

Name (in Block Letters).....

Address.....

.....

.....

Pin Code..... Tel. No. (Res).....

Institution.....

.....

Mobile

Email (Mandatory).....

(All Further Communication will be through email/Whatsapp)

Medical Council Registration No.....

.....

DD No/ IFSC No..... Dated.....

Bank Name..... Branch

Amount :

FOR ACCOMMODATION :

Please Contact Dr. Piyush Setia/ Dr. Pankaj Chopra
(Mobile No.: +91-97802-05317, +91-97803-01615)

Completed registration forms may be sent to

Dr. Harpal Singh Selhi

Professor, Dept. of Orthopedics, DMC&H

Tagore Nagar, Civil Lines, Ludhiana

M: 98150-22527

E-mail: drharpal@gmail.com